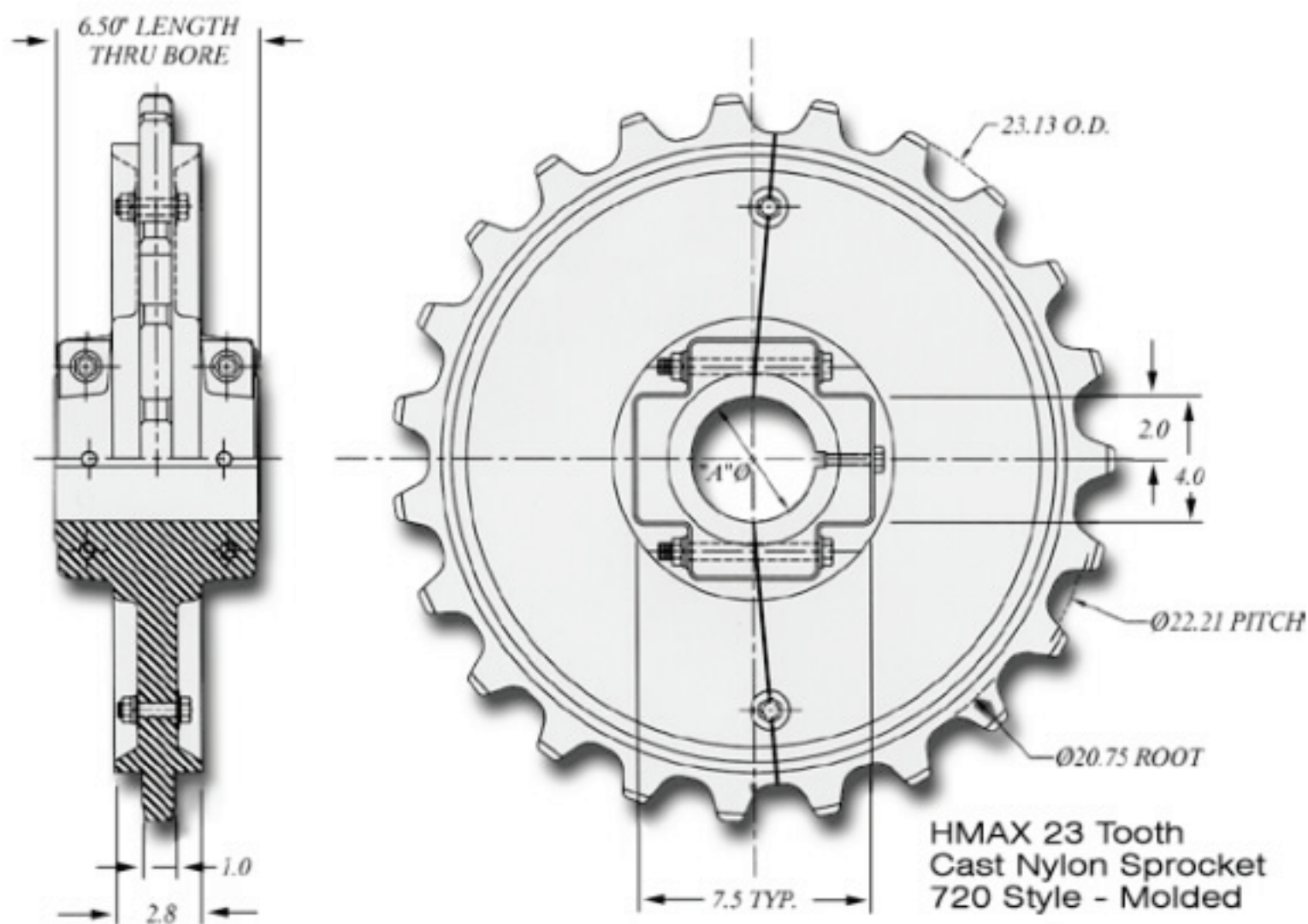


23 Tooth Drive Sprockets - 720S



23 Tooth HMAX 720 Style Sprocket

HMAX Sprockets are made from Cast Nylon 6 featuring integrally molded chain saver rims and hubs. HMAX Drive Sprockets include standard keyway and set-screws. All sprocket assembly hardware is provided in stainless steel.

HMAX Sprockets are available for use as drive or idler sprockets and for stub shaft service as well. Every HMAX 720 Style Sprocket is configured with the hunting tooth pattern also known as "double-life" tooth profile. HMAX 720 Sprockets have typical bore range of 1-15/16" to 4-15/16". Other sizes are available, contact Hitachi Maxco for further information.